
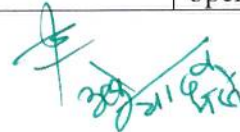




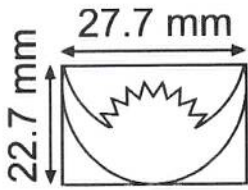


Technical Specifications of Insignia for Nepali Army

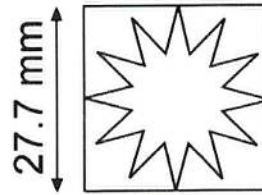
S.No.	Parameters	Technical Specifications	Remarks
1	Material	2.0580 CuZn40Mn1pb	
2	Hardness	106.4 HV1 \pm 10 HV1	
3	Weight	Different Insignia Weight as per Annex "A" with variation \pm 1gm	
4	Thickness	Different Insignia Thickness as per Annex "A" with variation \pm 0.5 mm	
5	Color and Coating	As per Sample provided	
6	Dimension	Different Insignia Dimension as per Annex "A"	
7	Finish	As per Sample	
8	Design	As per Sample	
9	Hook	As per Sample	
10	Features	Well buffed, shining finish, no sharp edge, no grains. Each pcs should be packed in plastic bag with open/close adhesive tape.	

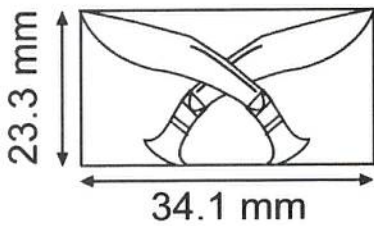
Specification of Insignia for Nepali Army



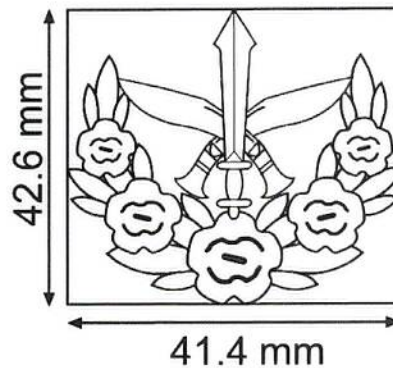
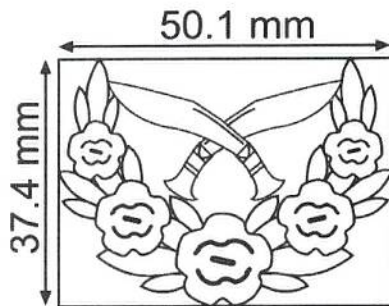
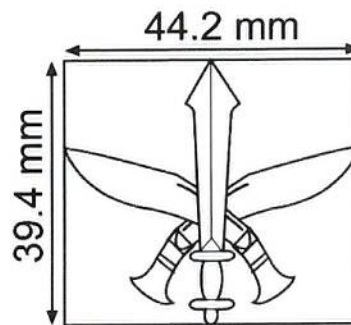
Weight including hook 6.1 gm
Thickness 2mm



Weight including hook 5 gm
Thickness 2mm



Weight including hook 5 gm
Thickness 2.5 mm



Weight including hook 14 gm
Thickness varies from 2 to 3.5 mm
as per design

[Handwritten signatures and initials in blue ink]