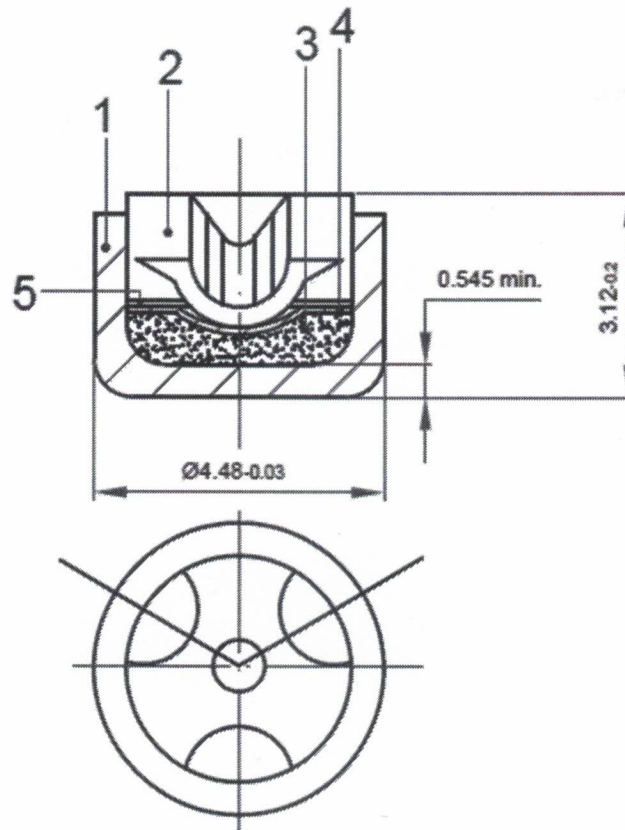


Specification of 5.56 mm Boxer Primer

S.N.	Parameter	Technical Specification	Remarks
1	Capsule Composition	CuZn28	
2	Anvil Composition	CuZn28	
3	Ignition Composition	Sinoxid	
4	Ignition Composition mass	Approx. 24 mg	
5	Paper Thickness	0.1 mm \pm 1% Tolerance	
6	Topcoat	Varnish, Red	
7	Dimension	As Per Drawing	
8	Compatibility	5.56 mm NATO Ammunition produced in Nepali Army	
9	Test Requirement	Sensitivity test report should be provided as per drawing	
10	Additional requirement	Minimum 50 Units of Primer without explosive from the manufacturer as sample must be submitted along with bid document for the evaluation purpose.	



5.56 mm Boxer Primer Drawing (All Dimensions are mentioned in millimeter)

SENSITIVITY TEST

Falling Mass: 112 gm

Lower drop height: 76 mm (No ignition)

Upper drop height: 356 mm (100% Ignition)

Firing Radius: 1 mm

[Handwritten signatures and initials]