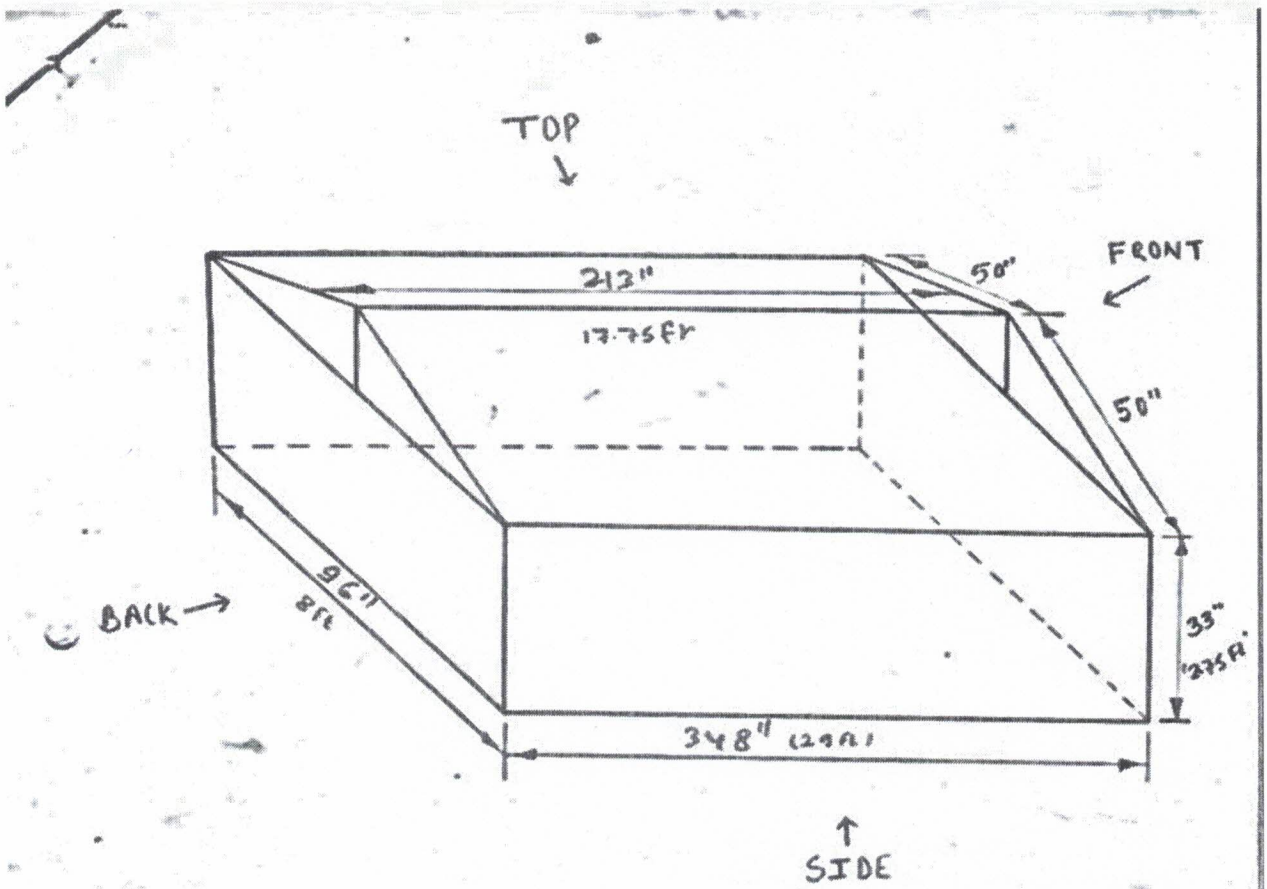


Specification of Hood for Truck

S.N.	Parameter	Specification	Remarks
1	Material	100% Polyester inside pvc coated Water proof woven Canvas Fabric	
2	Gram per square meter (GSM)	425±25	
3	Colour fastness to rubbing	Dry: Min 4, Wet: Min 3	
4	Colour Fastness to light	Minimum 3	
5	Tear strength (N)	Warp: Min 40, Weft: Min 35	
6	Water repellency	Grade 5	
7	Colour	Olive green	
8	Features	Water proof , windows adjustable with hook and loop fastener, rope for fitting	
9	Size	As per drawing	
10	Design	As per sample	
11	Warranty	Minimum 1 year from the date of installation	
12	Testing report	SGS/ITS or equivalent	



All dimension in inch.

Fig: HOOD MEASUREMENT OF 1613 TATA TRUCK

~~Handwritten signatures and marks at the bottom of the page, including a circled signature, a signature with an arrow, and a signature with a large 'X' over it.~~

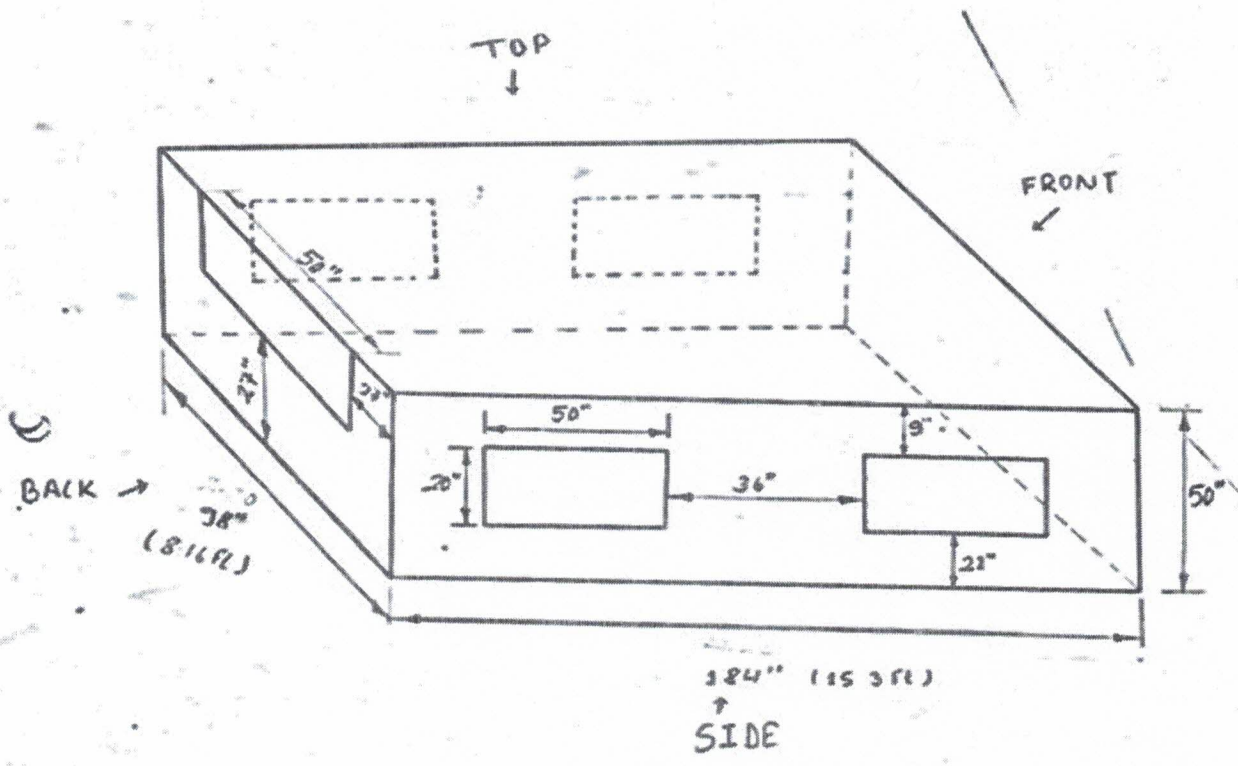


Fig:- HOLD MEASUREMENT OF 7.5 TON TATA 1628 TRUCK
 ALL DIMENSION ARE IN INCH

[Handwritten signature]

[Handwritten signatures and marks]
 [Circular stamp] [Circular stamp] [Handwritten mark] [Handwritten mark] [Handwritten mark] [Handwritten mark] [Handwritten mark]